

Beacon

Freedom to Explore



A Project for an Accessible City

HUMBER INSTITUTE OF TECHNOLOGY AND ADVANCED LEARNING
SCHOOL OF APPLIED TECHNOLOGY
BACHELOR OF INDUSTRIAL DESIGN
203 Humber College Blvd, Etobicoke, ON M9W 6V3

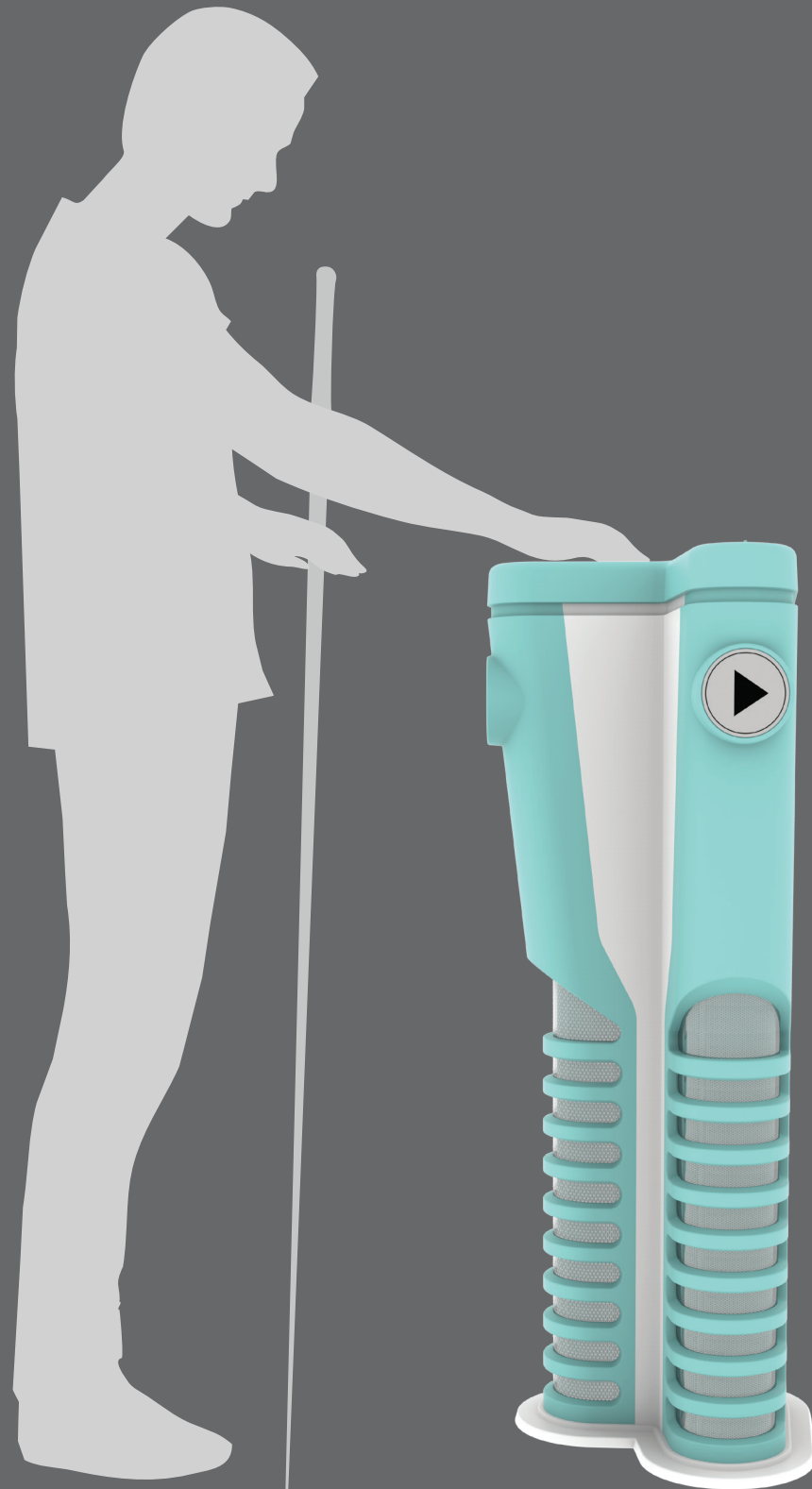
DANIEL WILLISON
danielnwillison@gmail.com

CONNECT: 2016 - 17

FREE PLAY
A POST SECONDARY DESIGN COMPETITION



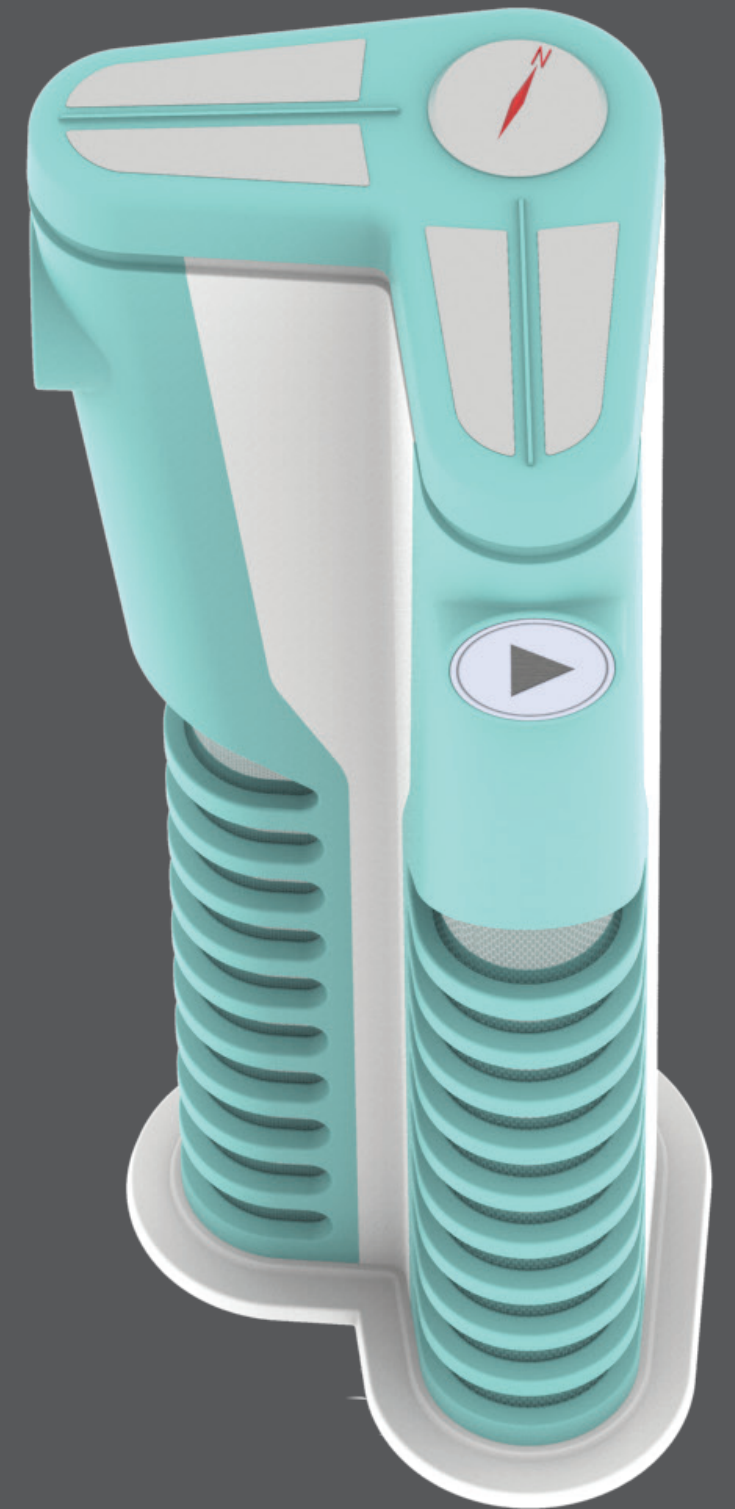
WHAT IS Beacon?



A waypoint for the visually impaired.

Beacon provides a system of **orientation** and **navigation** for the visually impaired that allows for **self-locating** and **independent travel**.

- Identify major intersections
- Determine North from South and East from West
- Travel with confidence



FREEDOM TO EXPLORE

CONCEPT BRIEF

Although there are techniques used by the visually impaired to navigate through a city, many of these methods involve memorizing routes in advance. People who are blind often have to ask others for help when finding their way, as current methods do not help in identifying where they are at a given time.

Having the option to improvise and explore new places around the city, or find new routes to known places, isn't an easy option.

Beacon is a universally accessible crosswalk solution that focuses on improving the travel experiences of the visually impaired. Beacon looks to give access to free exploration of the city through the development of an independent and confident travel experience.

The goal is to provide an appealing, accessible, and practical solution that is easily maintained and simple to locate and identify. Beacon has physical features and markers that aid in the navigation process by providing the necessary information for self-location.

FEATURES

A Compass

– for orientation

B Embossed street nameplates

– for street identification for those who do not read braille

C Locating lines

– Run along the direction of the streets; offer a line to follow and navigate on Beacon

D Braille nameplates for street identification

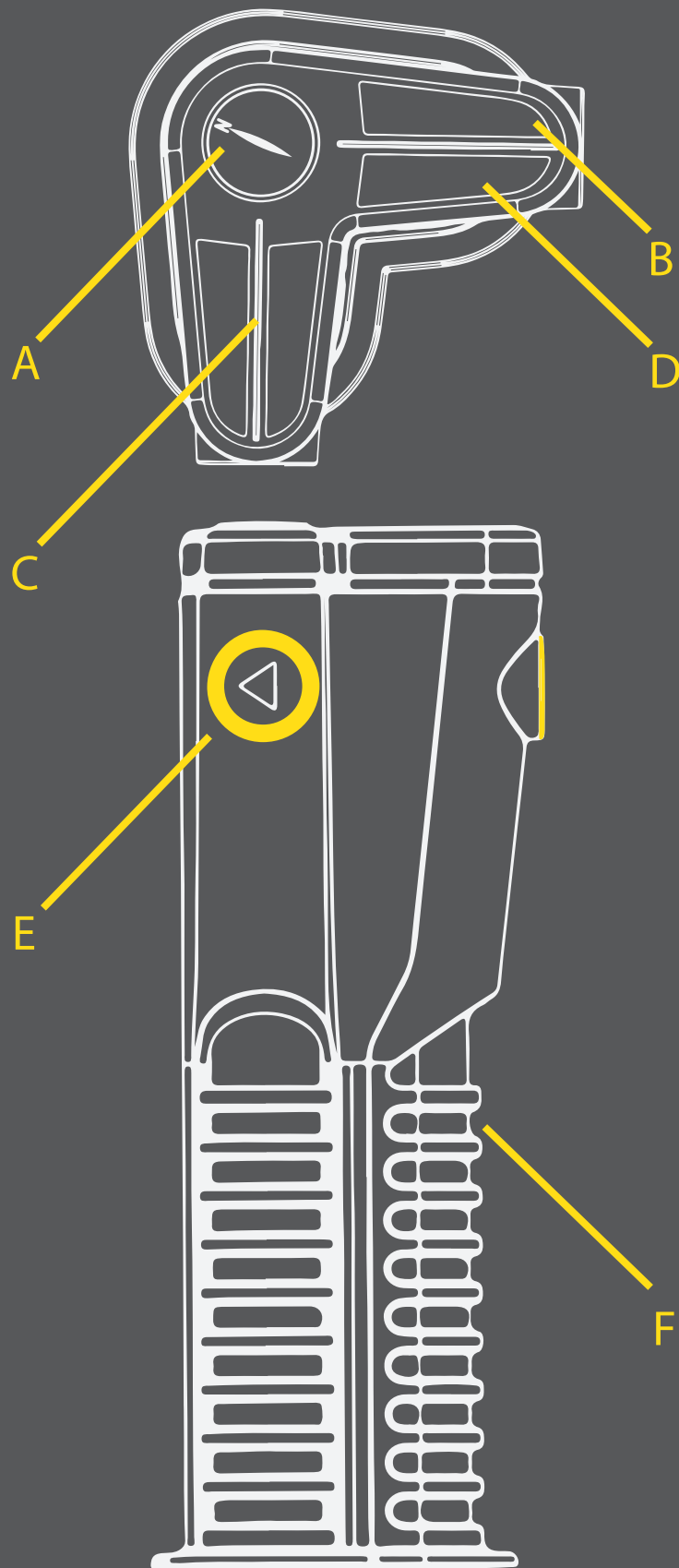
– for street identification for the braille literate

E Crosswalk buttons

– often these buttons are in random locations at crosswalks, placing them on Beacon offers further consistency for not only the visually impaired, but for everyone who uses them.

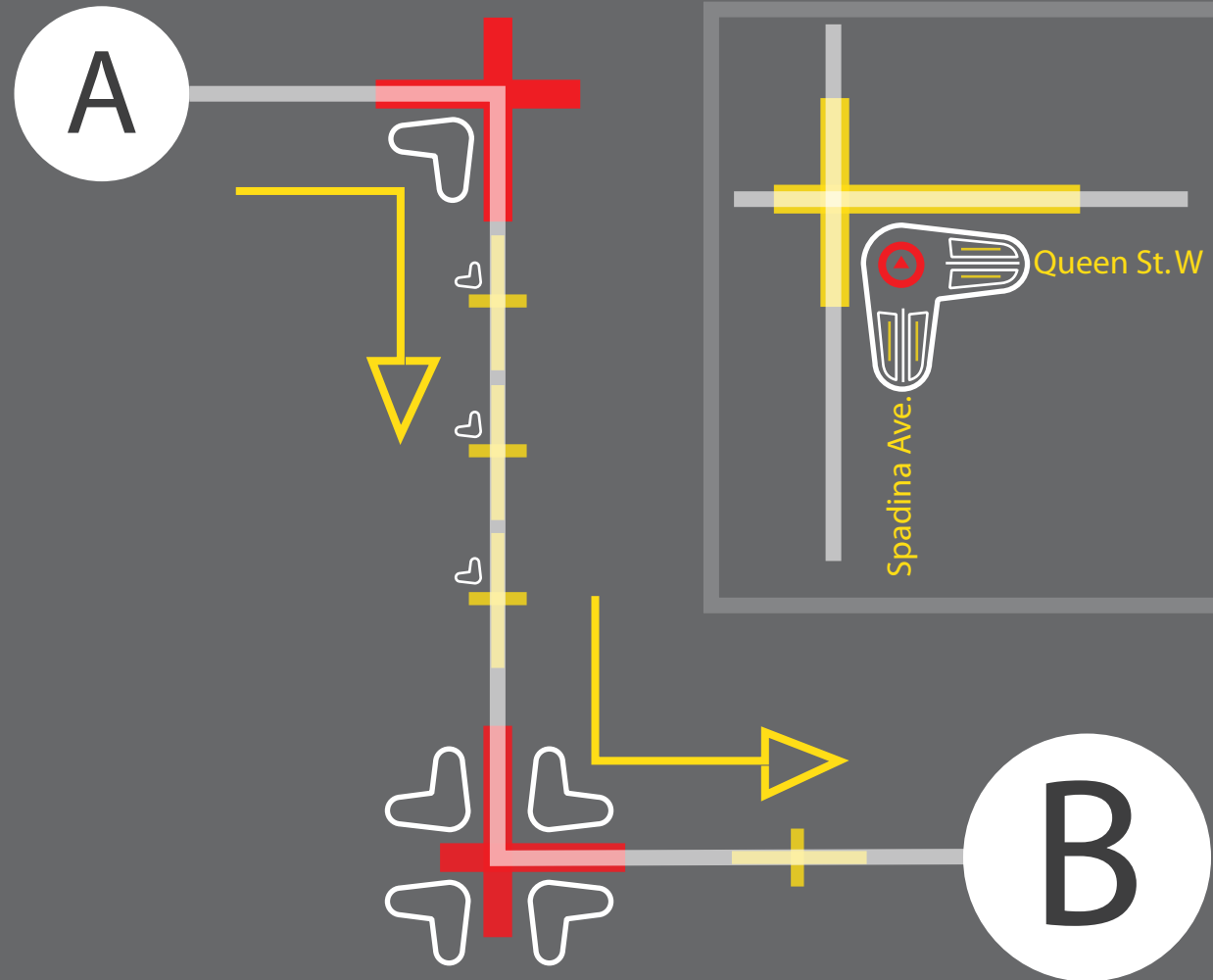
F Ribs

– Ribs act as an identifier to distinguish Beacon from other city features; when using an eye stick the texture of the ribs will allow for easy identification of Beacon



Ribs

TRAVELLING WITH BEACON

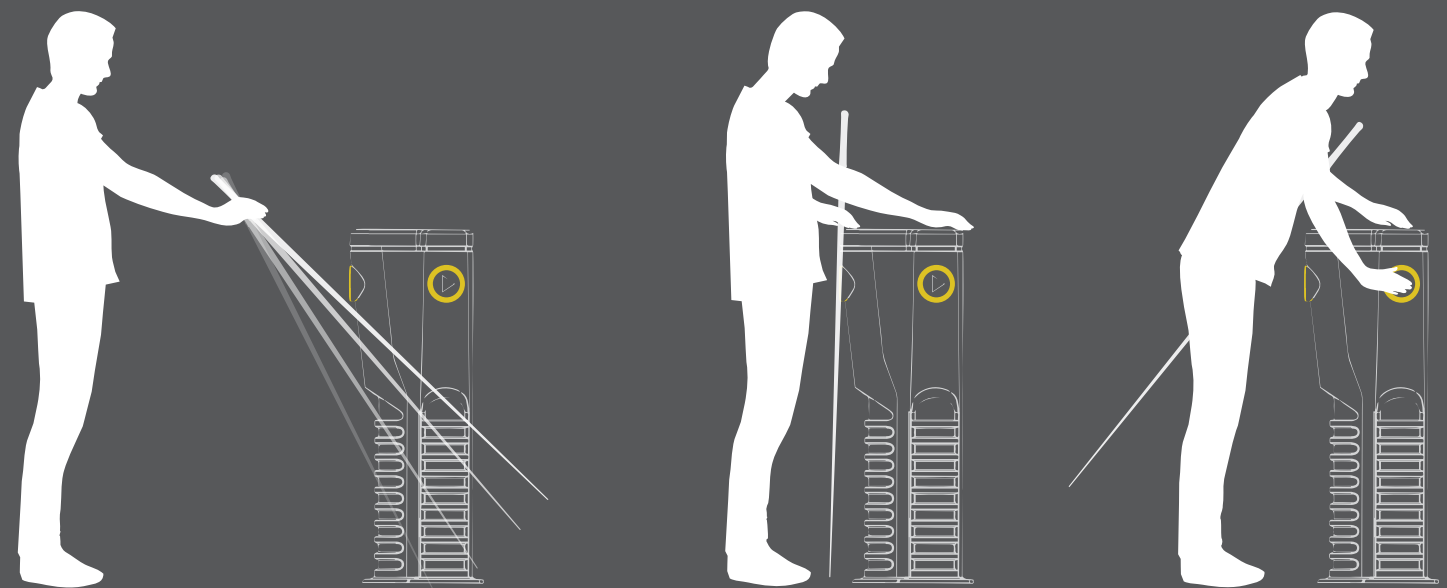


Placed in a consistent location, Beacon gives users the necessary information to locate themselves and direct their travels.

HOW IT WORKS

Beacon offers a way for individuals to locate themselves and become familiar with the intersections of their city. The easy identification of intersections will allow for the development of an independent travelling experience and gives users the opportunity to explore their city as they become familiar with the relationships between these intersections.

By being easily identifiable through the use of textured ribs, that can be felt by a walking stick, Beacon creates a unique tactile experience, setting itself in contrast to other city features. Once identified, Beacon hosts both braille and embossed letters that inform the user of the street names and identifies the intersection. Beacon also hosts a tactile compass so that travellers may orient themselves. With a North indicating arrow, no matter which corner the user finds themselves on, they are able to orient themselves.



1. Identify

2. Self-locate

3. Navigate

Beacon

Freedom to Explore

